

Model

2AM-43A-AF20

(4 Vanes, Reversible)

Net wt. 24 lbs (10,9 kg)

FEATURES

- 20:1 gear reducer
- Flange mounting
- Base-mounted
- Metal muffler AC980 provided not shown
AC980 adds 2" height when installed

RECOMMENDED

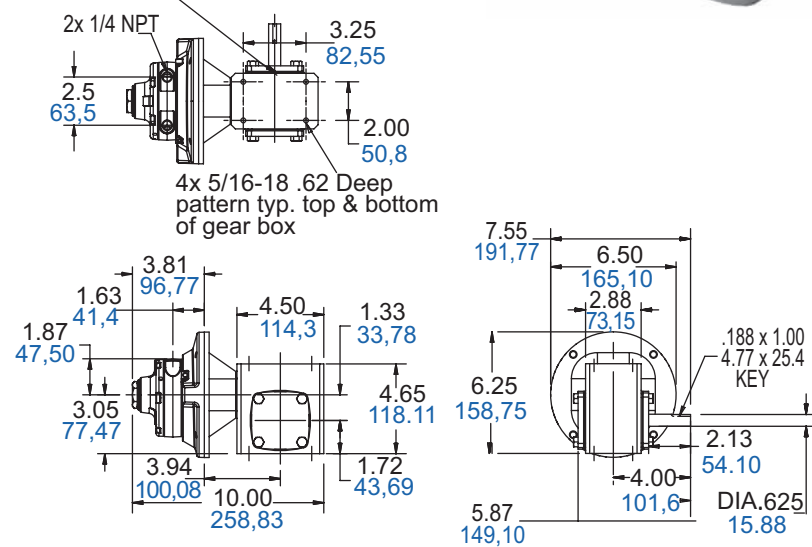
- Filter AH103F
- Regulator AH104R
- Gauge AA806
- Lubricator AH105L
- Oil AD220 – 1 quart (.94 litres)
- Repair kit K509

Max. allowable overhung load on the output shaft is 240 lbs
Max allowable thrust load on the output shaft is 300 lbs

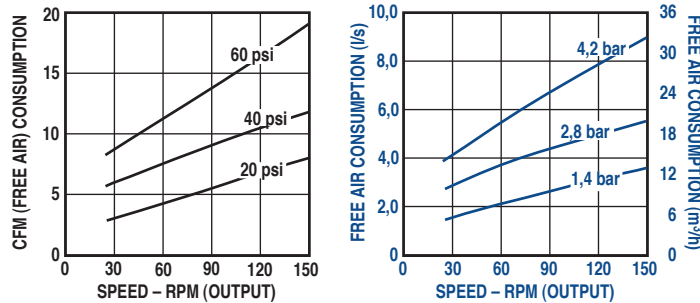


Product Dimensions (inches, mm)

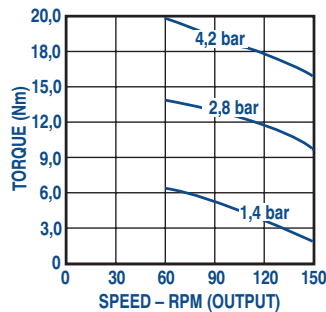
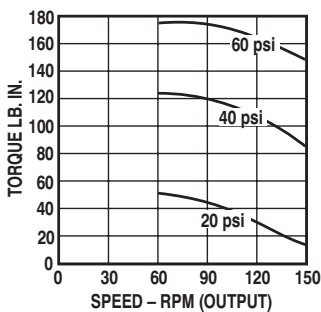
Counter-clockwise output shaft rotation



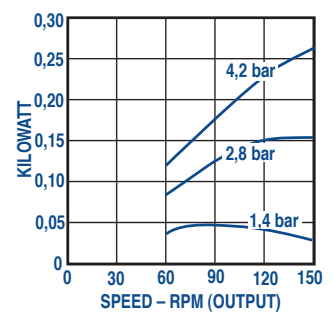
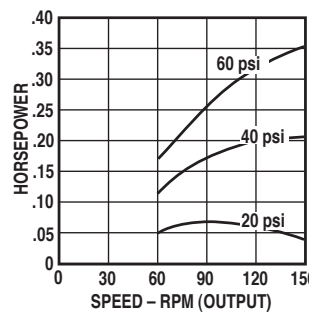
Air Consumption vs. Speed



Torque vs. Speed



Output Power vs. Speed



Model

Max. allowable overhung load on the output shaft is 600 lbs
 Max. allowable thrust load on the output shaft is of 500 lbs

2AM-43A-BF20

(4 Vanes, Reversible)

Net wt. 33.55 lbs (15,2 kg)

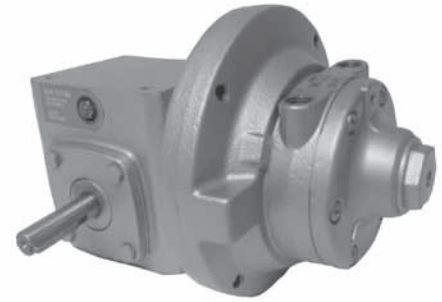
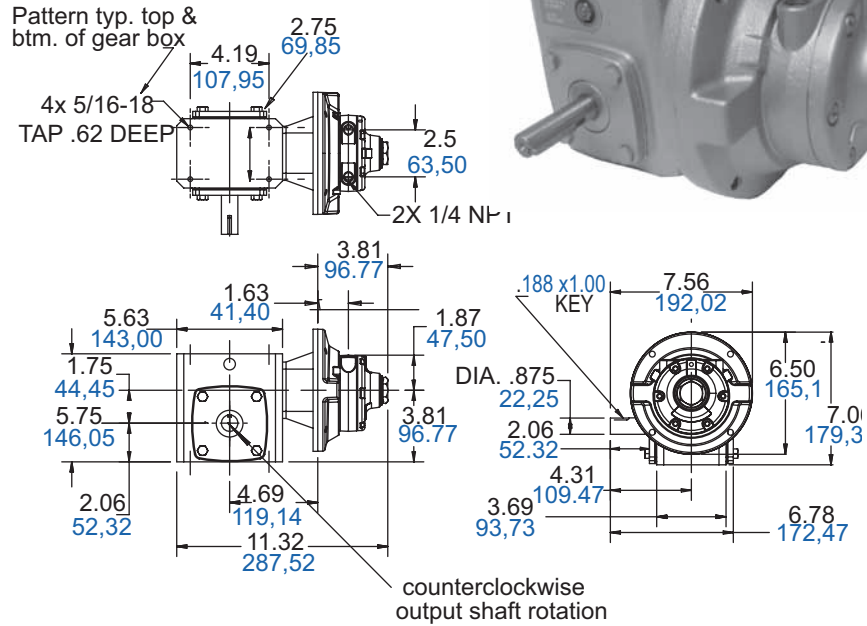
FEATURES

- 20:1 gear reducer
- FLANK mounting
- Mount on any plane operation
- Metal muffler AC980 provided not shown
 AC980 adds 2" height when installed

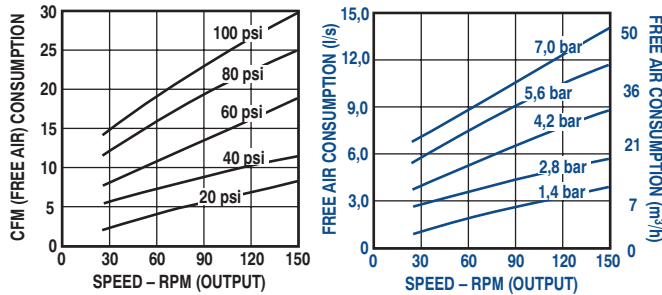
RECOMMENDED

- Filter AH103F
- Regulator AH104R
- Gauge AA806
- Lubricator AH105L
- Oil AD220 – 1 quart (.94 litres)
- Repair kit K509

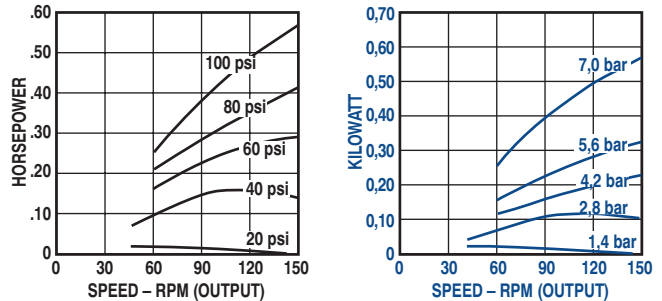
Product Dimensions (inches, mm)



Air Consumption vs. Speed



Output Power vs. Speed



Torque vs. Speed

