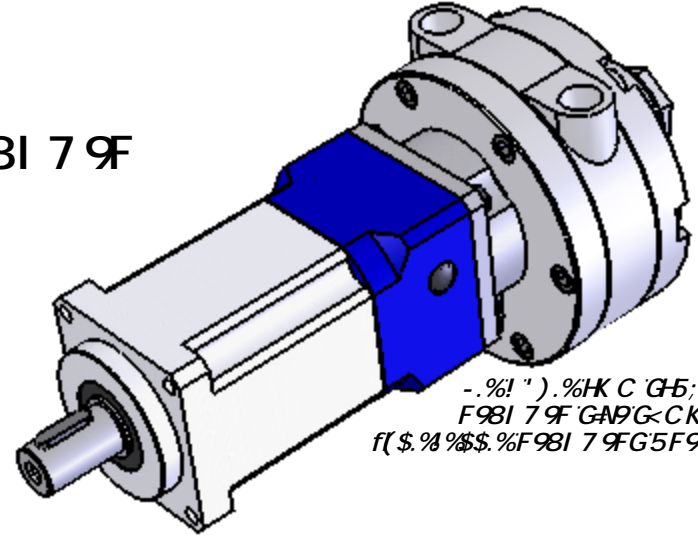
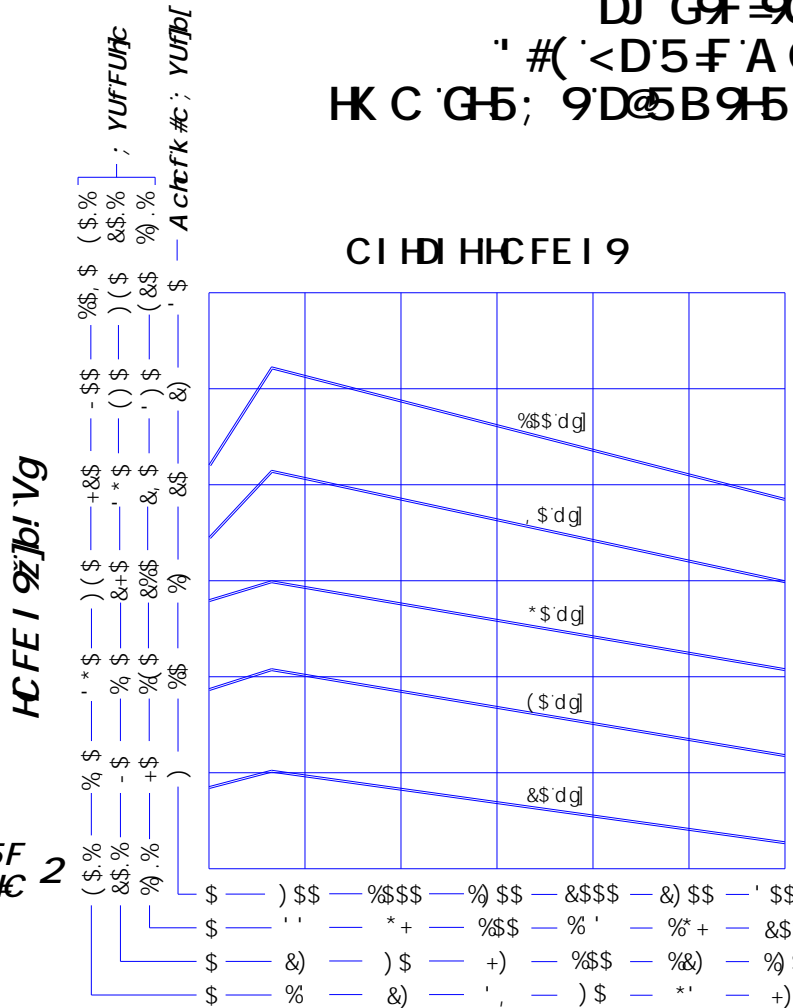


DJ 'G9F=9G
 ' #(<D'5F'A CHCF
 HK C'G5; 9'D5B95FMF98I 7 9F



-.%! ").%HK C'G5; 9
 F98I 7 9F'GA9G<CK B
 f(\$.% %\$.%F98I 7 9F95F9'5F; 9FL

CI HDI HC FE I 9

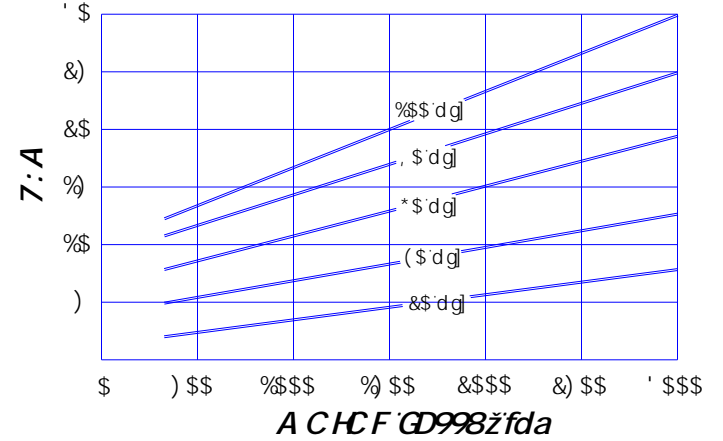


; 95F
 F5HC 2

A CHCF
 OK #kCIH
 ; 95F-B;

GD998ž'fda

5F'7CBG A DHCB



CI HDI HG<5: H@58B; / F98I 7 9F'K 9< HG	&G5; 9 ; 95F F5HC G -.%&').%	&G5; 9 ; 95F F5HC G (\$.% %\$.%\$\$.%
5DDFC L"K 9< Hž'Vg	-	% ')
A 5L"5L-5@G<5: H@58ž'Vg	' %	% - \$
A 5L"5L-5@G<5: H@58ž'Vg	% \$	%+\$

2'C D9F5H9G-B'5BMC F-9B H5HC B
 2'@ 9HA 9F98I 7 9F'@ 6F 7 5HC B
 2'A CHCF'F9E I F9G'5F'@B9
 ...@ 6F 7 5HC B

DJ ' #(<D'&G5; 9'D9F: C FA 5B 7 9
 8K ; "BC" %(-!%\$* F9J \$%
 : 9F; I GC B9B; B99F-B; "7 CA fJ \$) L'(*%&' -&\$"